

Fig. 1 a

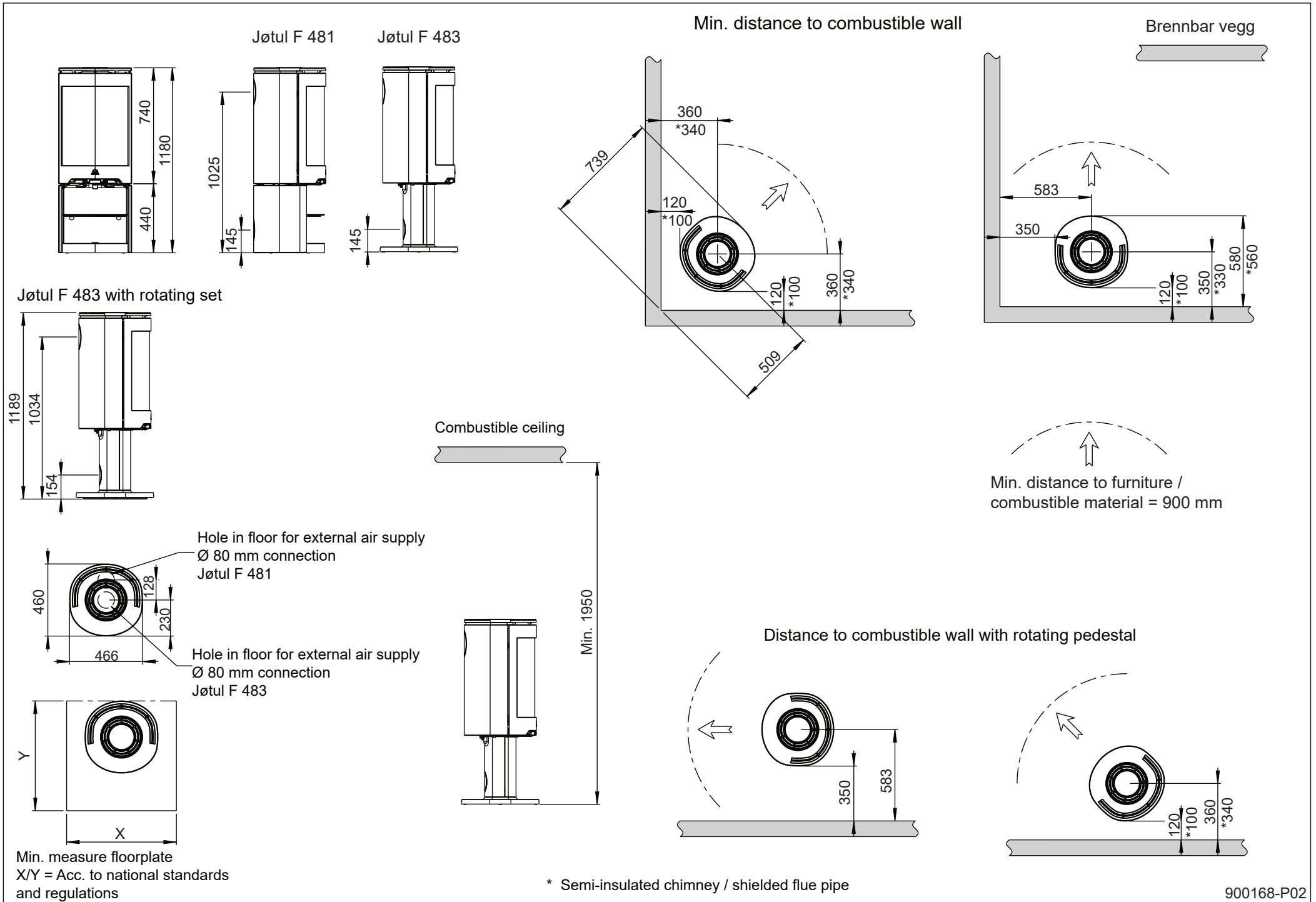


Fig. 1 b

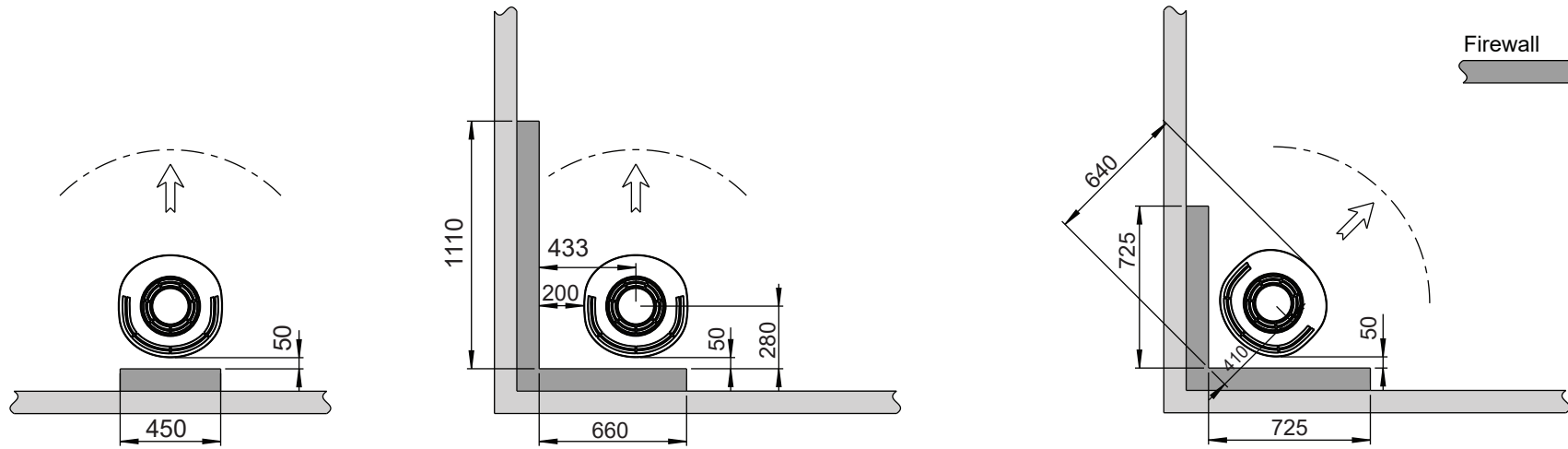
Jøtul F 481 / F 483

Min. distance to combustible wall protected by firewall

External

Combustible wall

Firewall



Integrated

